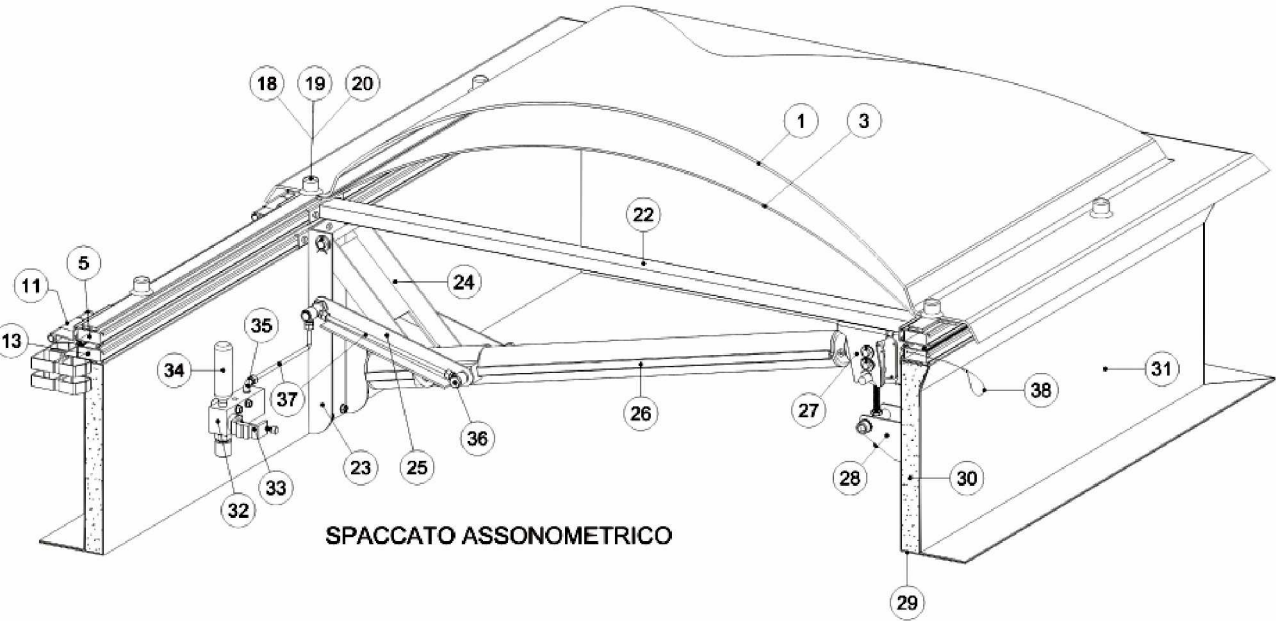
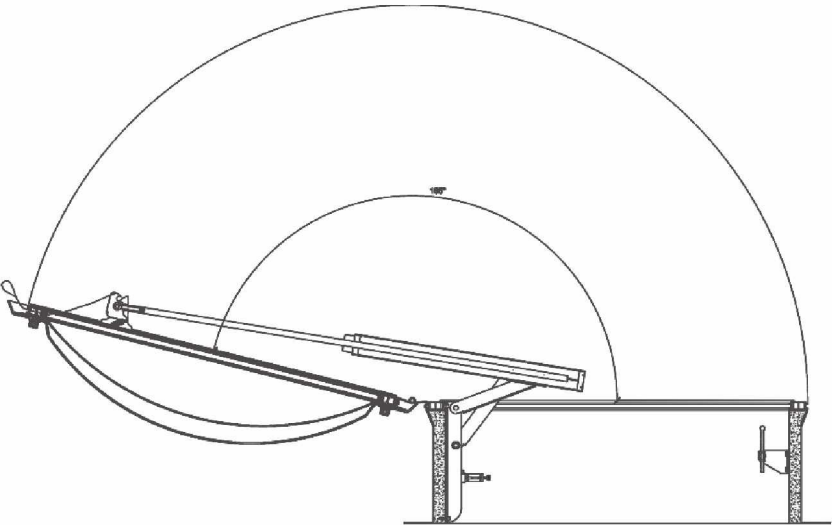


Entryway penthouse "Welcome"



pos	Description
1	external wall pavement light
3	internal wall pavement light
5	mobile aluminium counter frame
11	hinge
13	steady aluminium frame
16	galvanized steel screw
19	nylon cap
20	nylon suction under cap
22	transversal holder bar for cylinder and coupling
23	holder shelf for stirrup and cylinder
24	upper holder for cylinder
25	lower stirrup holder for cylinder
26	pneumatic cylinder with stop at maximum opening
27	block device
28	holder shelf for hook device
29	insulating basement sheet
30	polyurethane insulation
31	external fibre-glass coating "gel-coat"
32	thermal valve release



SEZIONE A-A (RIBALTAMENTO MAX)